

The Oil&Steel Snake truck-mounted platform on a Ford Ranger chassis provides a highly stable platform for working up to a maximum height of 13.8m, with a maximum working outreach of 7m.

This makes it an ideal choice for a wide range of tasks, including building maintenance, light installation and maintenance and working on telecommunications masts.



**13.8m** max working height



IPAF - Static Boom (1b, 1b+)



## Technical Specifications

Max Working Height:	<b>13.8m</b>
Platform Height:	<b>11.8m</b>
Max Working Outreach:	<b>7m</b>
Load Capacity:	<b>250kg</b>
Stowed Height:	<b>2590mm</b>
Stowed Length:	<b>5654mm</b>
Stowed Width:	<b>1900mm</b>
Basket Dimensions:	<b>L1400 x W700 x H1100mm</b>
Outrigger Footprint:	<b>(Hydraulic) 1888mm x 2446mm</b>
Engine:	<b>1996cc Euro 6 D-temp</b>
Total Machine Weight:	<b>3270kg</b>

## Optional Accessories

- Working lights chassis or basket
- Amber flashing led kit
- Chapter 8 high visibility markings
- Personalised vehicle livery wrap
- Reversing camera
- Water / air line supply to basket
- Cab air-con
- Variable stabilisation
- Rotating basket

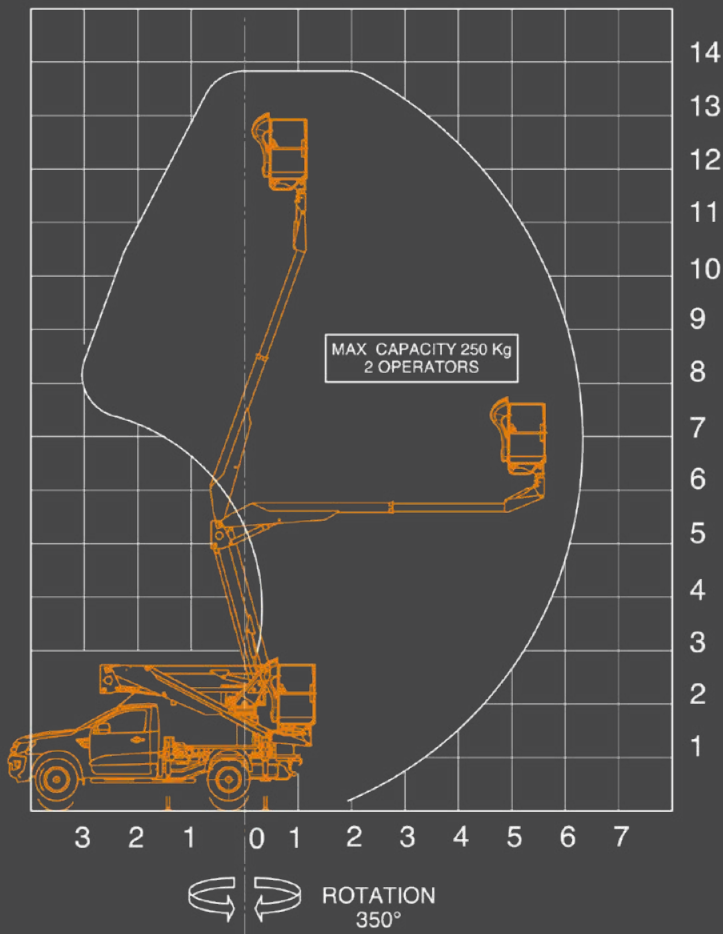


Available with water / air line supply to basket



A highly stable platform for working up to a maximum height of 13.8m, with a maximum working outreach of 7m

### Working envelope



### Dimensions

