

OPERATING PERFORMANCE

Operating Weight - Cab	3,605 kg
Operating Weight - Canopy	3,465 kg
Bucket Capacity (Heaped)	0.105 m ³
Slew Speed	10.2 min-1
Travel Speed	
1st	2.6 km/h
2nd	5.0 km/h
Gradeability	30°
Ground Pressure - Cab	27.9 kPa
Ground Pressure - Canopy	26.8 kPa
Maximum Bucket Breakout Force	27.0 kN
Maximum Arm Digging Force	18.3 kN
Traction Force	39.5 kN
Boom Swing Angle (Left/Right)	75° / 60°

ENGINE

Model	Yanmar / 3TNV88
Rated Output (ISO 14396)	22.0 kW / 2,400 min-1
Maximum Torque	107.4 Nm / 1,440 min-1
Displacement	1,642 ml
Alternator	12 V - 0.48 kW
Battery (IEC 60095-1)	12 V - 73 A·h

FLUID CAPACITY

Engine Lubrication	4.7 L
Cooling System	8.7 L
Fuel Tank Capacity	53.0 L
Hydraulic Reservoir Capacity	35.0 L
Hydraulic System Capacity	67.0 L

HYDRAULIC SYSTEM

P1, P2	Variable Displacement Pump
Flow Rate	38.9 L/min
Relief Pressure	21.0 MPa
P3	Gear Pump
Flow Rate	22.8 L/min
Hydraulic Pressure	19.6 MPa
Service Port 1	
Flow Rate	62.0 L/min
Hydraulic Pressure	21.0 MPa
Service Port 2	
Flow Rate	23.0 L/min
Hydraulic Pressure	19.6 MPa
Service Port 3	
Hydraulic Pressure	19.6 MPa

SAFETY and HEALTH

Vibration Levels

Hand / Arm	≤ 2.5 m/s ²
Body	≤ 0.5 m/s ²

Noise Level

Sound Power Level	L _{WA} 95 dB
-------------------	-----------------------



Multi-Informational Display



Work Lights

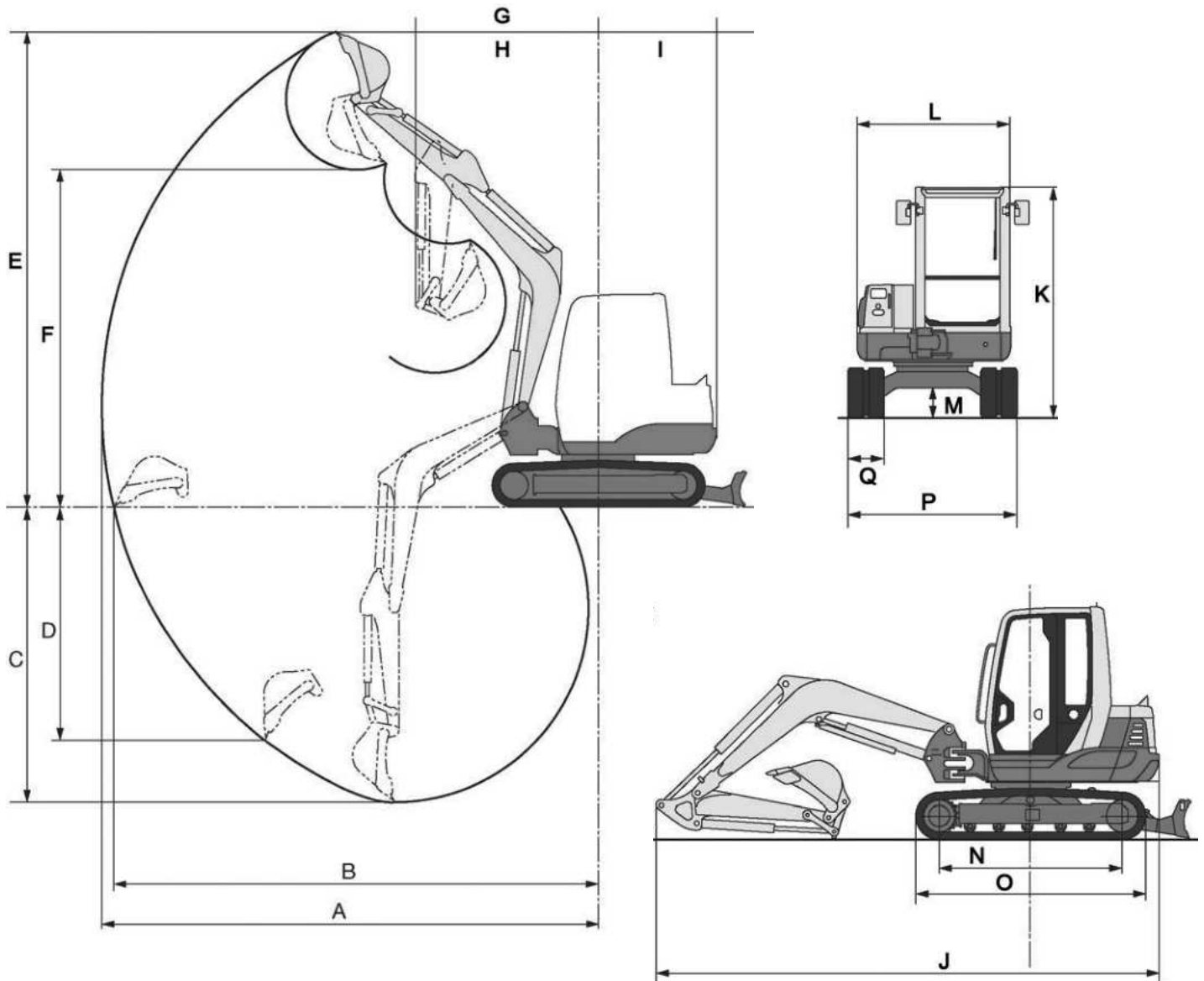


Auxiliary Hydraulic Lines



Main Boom Cylinder Guard

TB235 Compact Excavator



MACHINE DIMENSIONS	1,290 mm ARM	1,450 mm ARM	1,600 mm ARM
A Maximum Reach	5,180 mm	5,325 mm	5,465 mm
B Maximum Reach at Ground Level	5,045 mm	5,195 mm	5,345 mm
C Maximum Digging Depth	3,090 mm	3,250 mm	3,400 mm
D Maximum Vertical Digging Depth	2,330 mm	2,460 mm	2,600 mm
E Maximum Height of Cutting Edge	5,040 mm	5,135 mm	5,240 mm
F Maximum Dumping Height	3,620 mm	3,715 mm	3,815 mm
G Front Swing Radius	1,890 mm	1,930 mm	1,950 mm
H Front Swing Radius with Boom Offset	1,495 mm	1,540 mm	1,560 mm
I Slew Radius	1,395 mm	1,395 mm	1,395 mm
J Overall Length	4,950 mm	4,995 mm	5,020 mm
K Overall Height	2,450 mm	2,450 mm	2,450 mm
L Upper Structure Overall Width	1,470 mm	1,470 mm	1,470 mm
M Ground Clearance	295 mm	295 mm	295 mm
N Crawler Base	1,655 mm	1,655 mm	1,655 mm
O Crawler Overall Length	2,110 mm	2,110 mm	2,110 mm
P Crawler Overall Width	1,630 mm	1,630 mm	1,630 mm
Q Crawler Shoe Width	350 mm	350 mm	350 mm



© 2018 Takeuchi MFG. Co., Ltd. All Rights Reserved. In accordance with our established policy of continued improvement, specifications and features are subject to change without notice. Pictures may show options other than standard equipment.

TAKEUCHI[™]
From World First to World Leader

FORM: TB235 Compact Excavator Spec Sheet - Mar. 2018